

HCS3000/144-2Z

Coaxial relay

HCS3000/144

3 x 7/16 connectors

HCS3000/144-2Z:

3 x 7/16 connectors; additional contacts

HCS3000/144-R (reversed TX/RX ports):

3 x 7/16 connectors

HCS3000/144-2Z-R (reversed TX/RX ports):

3 x 7/16 connectors; additional contacts

HCS3000/144-N:

3 x N-type connectors

HCS3000/144-2Z-N:

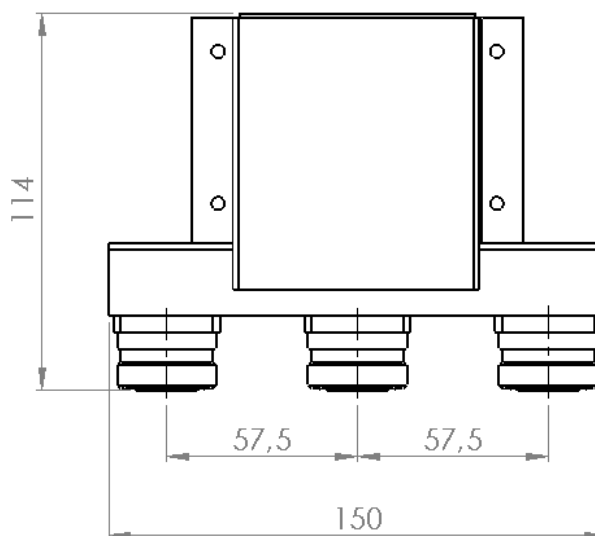
3 x N-type connectors; additional contacts

HCS3000/144-Combo:

2 x 7/16 connectors (NO, COM) & 1 x N-type connector (NC)

HCS3000/144-2Z-Combo:

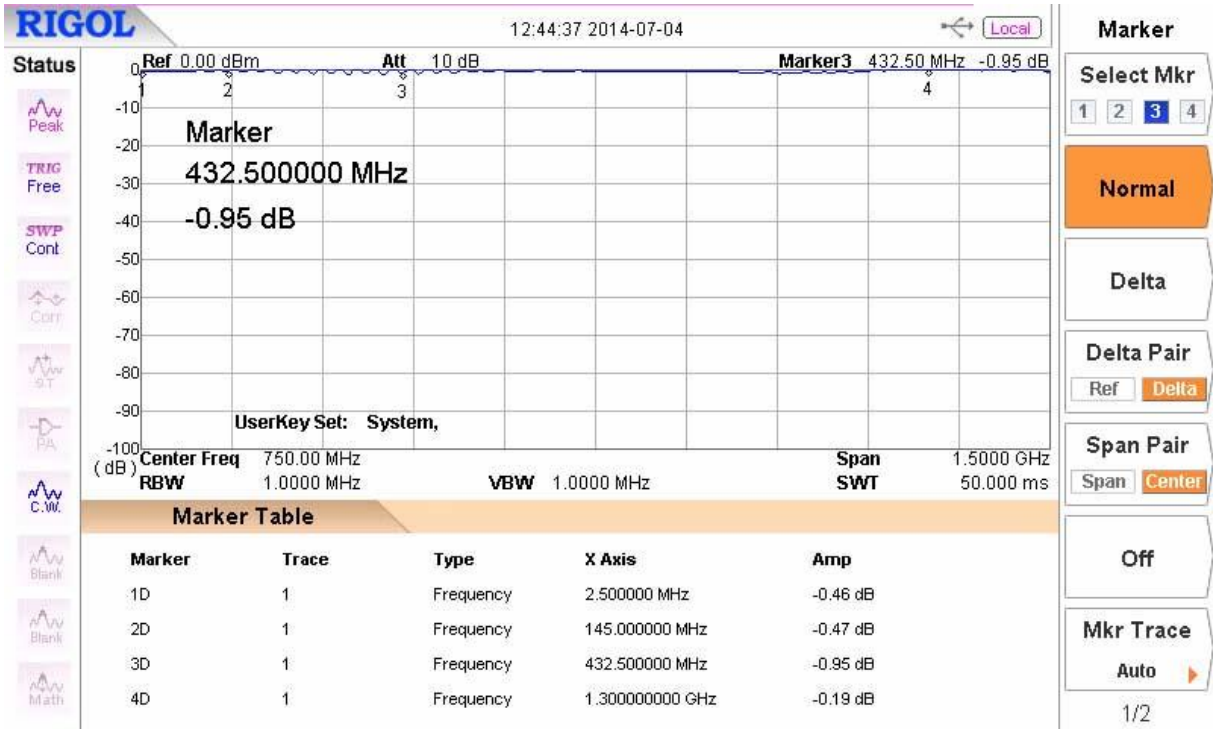
2 x 7/16 connectors (NO, COM) & 1 x N-type connector (NC); additional contacts

**Technical data:**

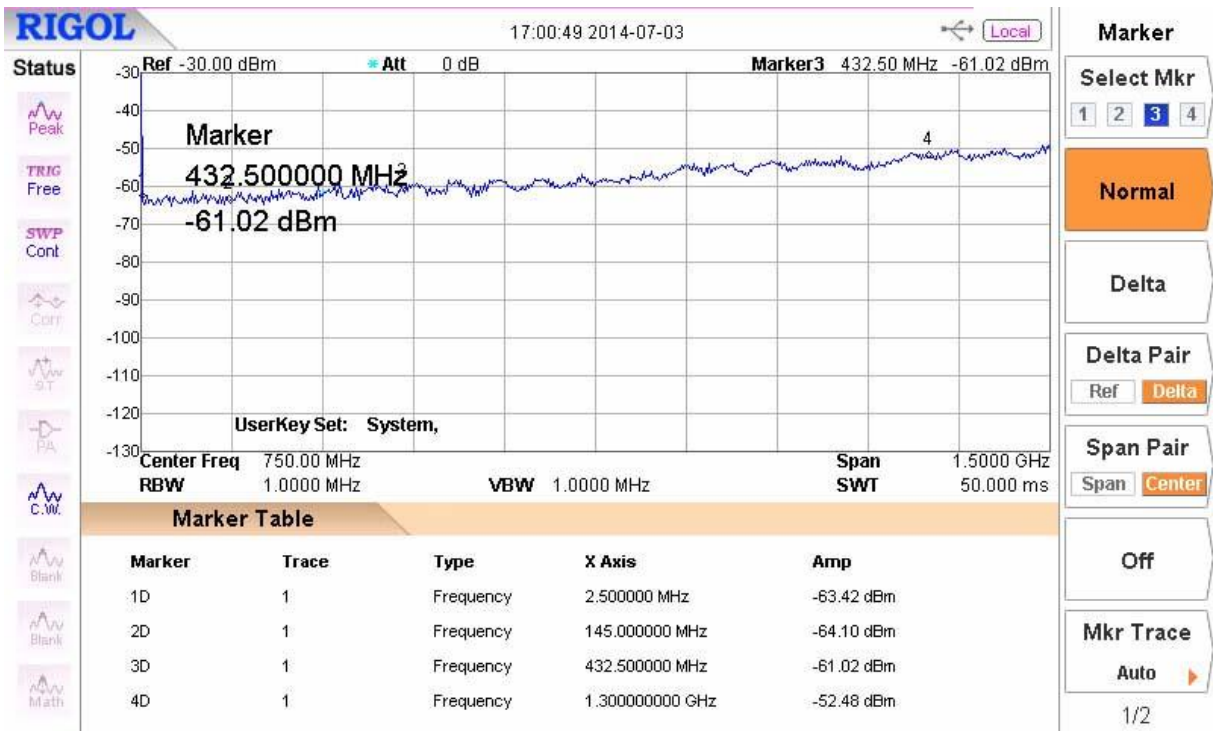
Frequency range:	DC up to 1.5 GHz
Impedance	50 Ohm
Inserion loss	0.19 dB / 1200 MHz
Max. power:	
@144 MHz	3000 W
@432 MHz	2000 W
@1296 MHz	500 W
Isolation	61 dB / 432.5 MHz
Contact materials	AgCu ₃ , gold plated
Supply voltage	12 to 13.8 V DC
Current	0.72 A / 20 °C
Switching time	approx. 40 ms
Dimensions	150 x 115 x 75 mm
Weight	1.6 kg
Additional contacts	2 microswitches (2Z version)

Diagrams:

Insertion loss:



Isolation:



Return loss:

